

Figure 1



102104-1333660

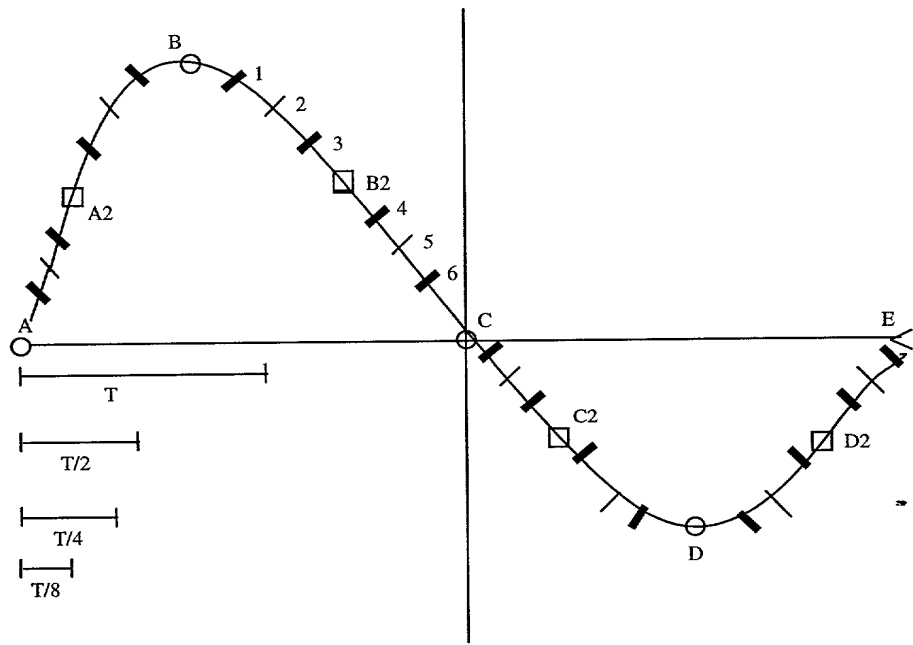


Figure 3

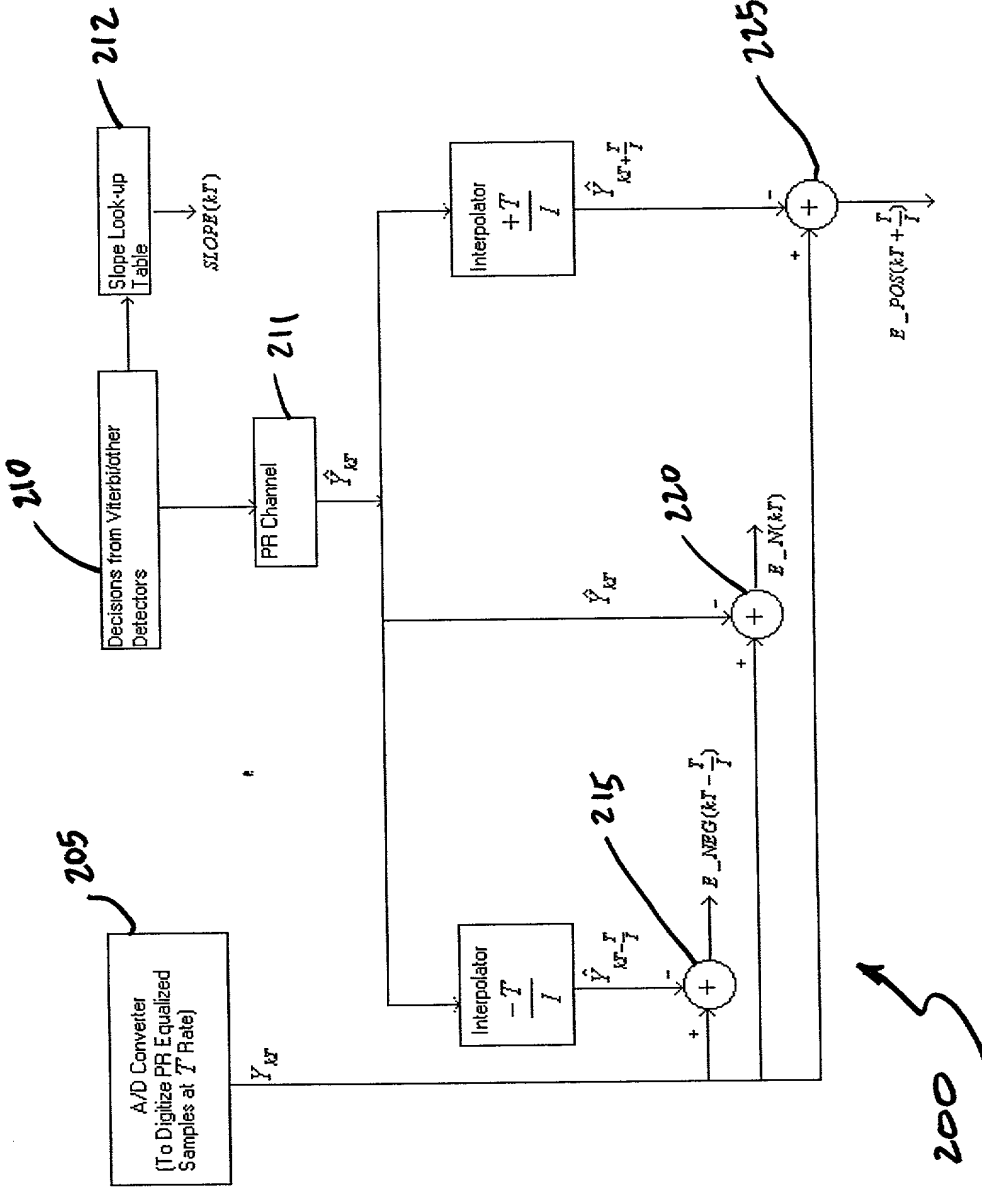


Figure 4

300

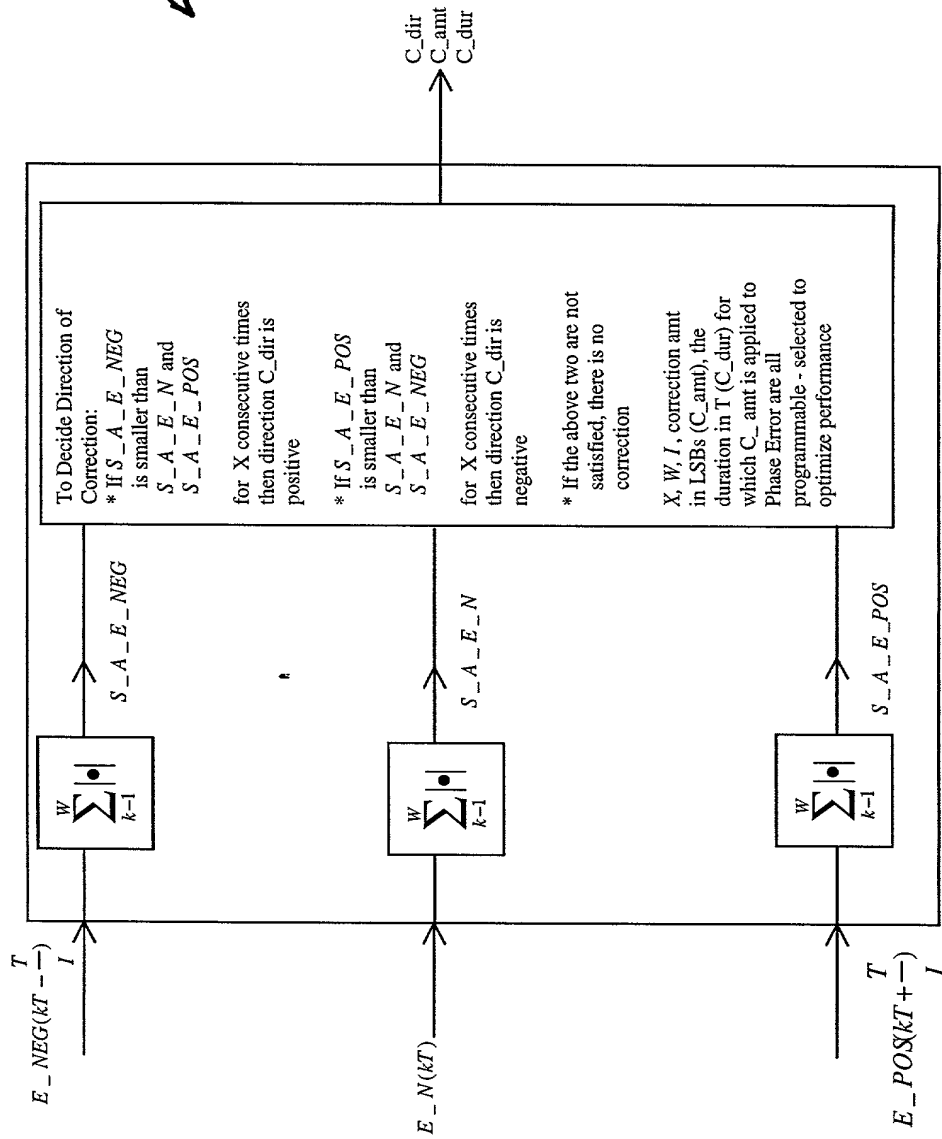


Figure 5

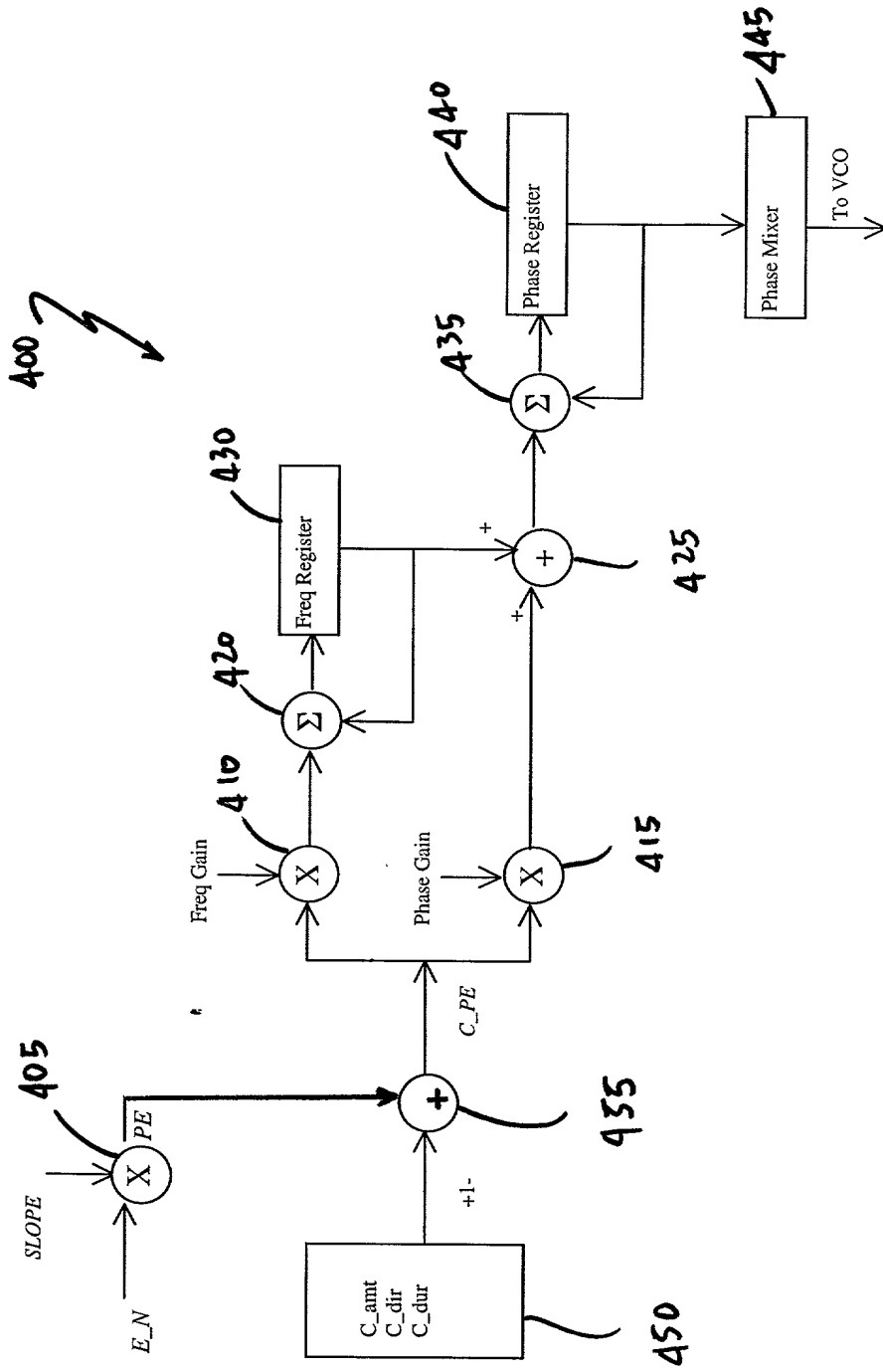


Figure 6

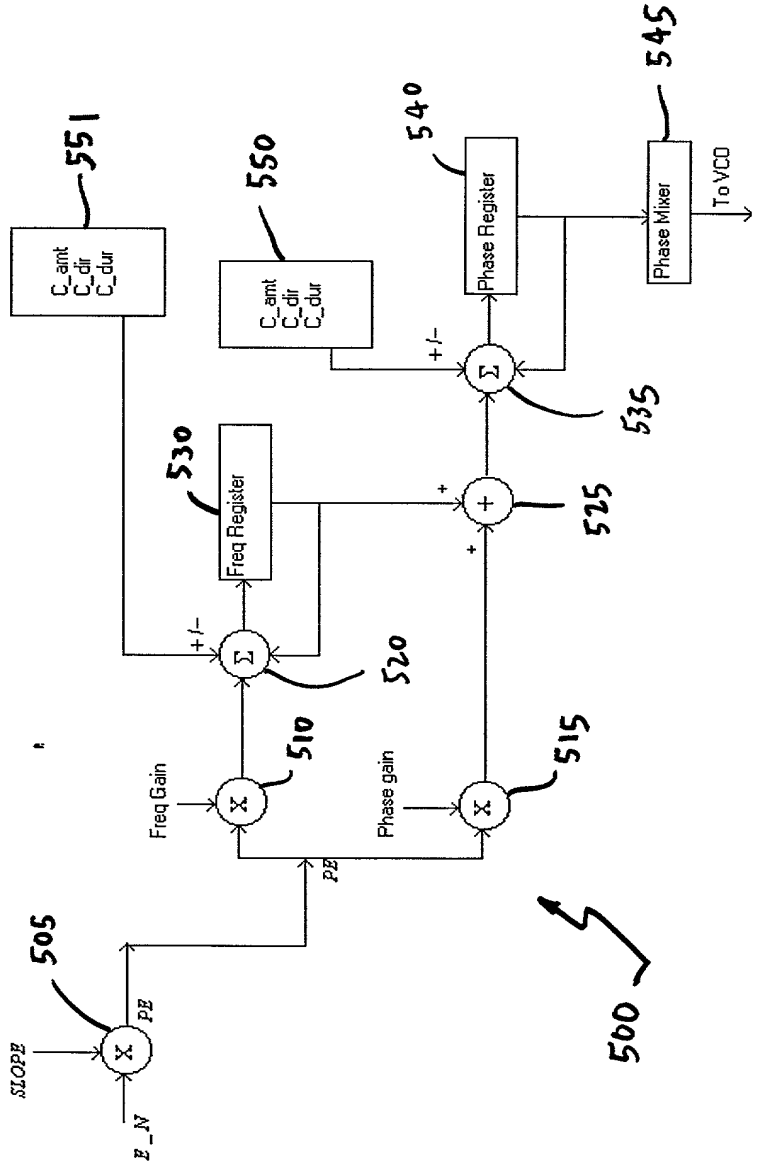


Figure 7